

# EL-O-MATIC SWITCHBOX EExd

# HDX

**Description:**

This heavy duty switch box encloses two single pole double throw switches for indicating the fully open and fully closed actuator positions.

The switches are operated by two cams on an extension of the actuator drive shaft and all mechanical parts are contained within the enclosure. Both switches are independently adjustable throughout the operating stroke, but are normally set to indicate at about 5° before each end position.

The enclosure is explosion proof to EEx d IIC T6 to EN 50018 and is suitable for Zone 1 and 2 with all gas groups. It is also waterproof to IP67 (submersible) and as such completely dust tight.

All five terminals of the two switches are prewired to a terminal block, which is easily accessible when the top cover is removed.

The switch box is mounted on top of the actuator with an accessory bracket which incorporates a visual position indicator.

**Specification:**

**Switches**  
 Type : V3, mechanical  
 Voltage : 250 VAC or DC  
 Amps : 5 A at 250 VAC  
 0.25 A at 250 VDC  
 5 A at 12 VDC

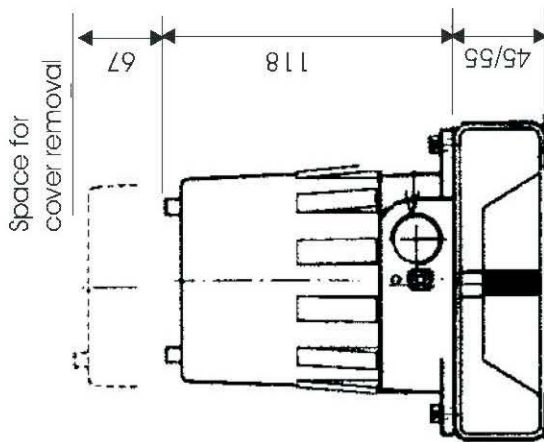
Contacts : Normally open and normally closed  
 Temperature : -20°C to +80° C

**Housing**  
 Material : Aluminium alloy, AISI10Mg  
 Enclosure : IP 67 (IEC 529)  
 Explosion proof : EEx d IIC T6 to EN 50018  
 (cert. nr. 90C 1280)

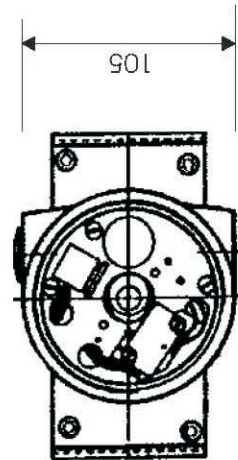
Cable entries : 2 x Pg 13.5, option M20x1.5 or 1/2"NPT  
 Finish : Epoxy coating  
 Mounting : Acc. VDI/DE 3845 (NAMUR)

**Identification:**

HDX



2 X ISO M20 Entry  
 (Option PG1.3.5 Or 1/2 NPT)  
 45 = Namur 80 x 30 Ht 20  
 55 = Namur 130 x 30 Ht 30



Subject to change without notice

VALVE AUTOMATION  
SYSTEMS

**EL-O-MATIC**  
INTERNATIONAL

Nr.: 03-1311-MCTK

Date: 13-11-03

All rights reserved