

# MECATORK

ACTIONNEURS PNEUMATIQUES ¼ DE TOUR  
ACTIONNEURS ELECTRIQUES  
ENSEMBLES VANNES MOTORISEES

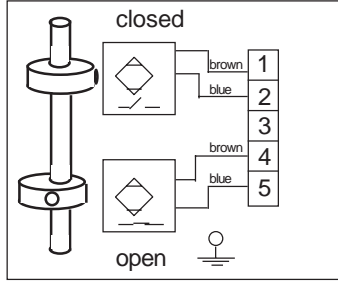
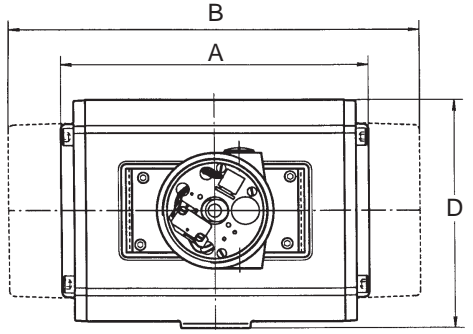
04 50 66 70 42  
Info@Mecatork.fr

Subject to change without no

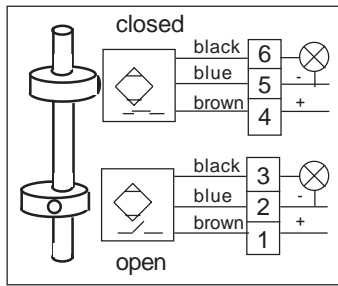
VALVE AUTOMATION SYSTEMS

EL-O-MATIC<sup>®</sup> INTERNATIONAL

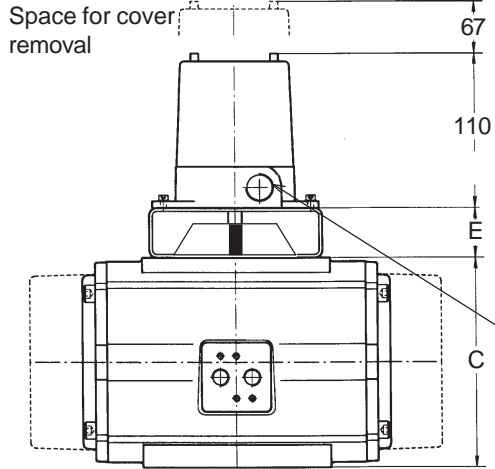
Nr.: 3.201.010  
All rights reserved



2-wire switches



3-wire switches



2x Pg 13.5 ENTRY  
(option; M20x1.5 or 1/2"NPT)

**Description:**

This heavy duty switch box, which enclosure contains two inductive proximity sensors without amplifiers, provides electric indication of the valve position. The sensors are operated by two cams on a shaft extension of the actuator spindle and all mechanical parts are enclosed within the enclosure. Both switching points are independently adjustable and are normally set to indicate at about 5° before each end position. The sensors wiring is connected back to a terminal block which is easily accessible when the top cover is removed. Two cable entries are provided, one of which is fitted with a blanking plug. This feature enables the switch box to be used as a terminal box, for instance for the solenoid wiring. The switch box is provided with an interface to VDI/VDE 3845 and is fitted directly on the top of the actuator with a bracket and a visual position indicator.

**Specification:**

**Sensors: 2-wire switches to EEx ia IIc T6 (DIN19234)**

- Name : Pepperl & Fuchs
- Model : **NJ2-V3-N**
- Type : 2-wire inductive NC
- Voltage : 8 VDC nominal
- Output : Unswitched, more than 3 mA.  
Switched, less than 1 mA.
- Approval : BASEEFA and PTB.
- Temperature : -25°C to +100°C

**3-wire switches 10-30 VDC**

- Name : Pepperl & Fuchs
- Model : **NBB2-V3 E2**
- Type : 3-wire inductive PNP, NO, with LED's
- Voltage : 10-30 VDC nominal
- Max. current : 100 mA.
- Temperature : -25°C to +70°C

**Housing:**

- Material : Aluminium alloy, Al Si 10 Mg
- Enclosure : IP 67 (IEC 529)
- Cable entries : 2 x Pg 13.5, option M20x1.5 or 1/2"NPT
- Connections : Terminals inside housing
- Finish : Epoxy coating
- Mounting : Acc. VDI/VDE 3845 (NAMUR)

**Identification:**

2 Wire = HD-IS2, 3 Wire = HD-PNP

Dim. in mm.	Actuator type											
	E 12	E 25	E 40	E 65	E100	E200	E 350	E600	E950	E1600	P2500	P4000
<b>A PD/ED</b>	103	159	180	199	221	283	305	387	424	516	378	502
<b>B PE/ES</b>	118	172	204	249	267	360	387	477	517	637	570	834
<b>C</b>	80	100	113	125	138	163	201	250	289	327	386	410
<b>D</b>	60	83	96	107	117	137	182	217	242	275	358	390
<b>E</b>	45	45	45	45	45	45	45	55	55	55	55	55

EL-O-MATIC ACTUATOR WITH HD SWITCH BOX

P&FV3

Date: Dec. '99