

# GD SERIES

## VALVE MONITORING PRODUCTS

# GUARDBOX



\*Cu 0,08% max

### Technical data



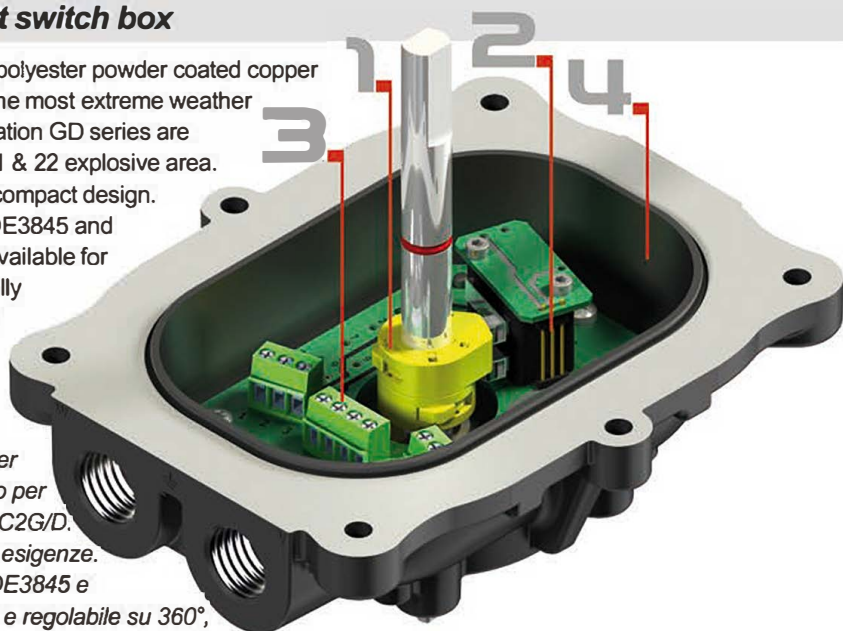
Housing material	Copper free aluminium* or AISI316L
Aluminium surface protection	Alodine
Aluminium paint	Polyester powder coated Dark Grey colour
Shaft	Hardened AISI316L Stainless steel
Seal	Silicone rubber
Visual indicator	Polycarbonate or Glass
Temperature range	-25°C + 85°C (-60°C / +105°C option)
IP degree	IP66 - IP68
Switch /sensor Type	ES-ED-MS-MD-PI-PN-TX-TY
Cable entries	No.2 standard (3 as option)
Certificate	IECEX EXA 15.0008X - EXA 15 ATEX 0039X

Data sheet GD0007-16 All content contained herein is subject to change without notice

### Guardbox Explosion proof Ex d GD series limit switch box

GD Guardbox explosion proof Ex d series enclosures available in polyester powder coated copper free aluminium or AISI316L stainless steel designed to withstand the most extreme weather conditions. Specifically designed to be installed into hazardous location GD series are certified Ex d IIC to be used in a Gas Zone 1 & 2 and Dust Zone 21 & 22 explosive area. Ability to have up to 3 cable entries Metric or NPT as needed in a compact design. Connection to shaft according to the international standard VDI/VDE3845 and ISO F05 interface to the fixture. Wide availability of brackets also available for non standard applications. 3D indicator visible on all 4 sides and fully adjustable over 360°, captive cover locking screw in stainless steel to prevent loosening in operation. Wide range of multiple standard contacts or sensors available fixable inside.

*GD Guardbox explosion proof Ex d series disponibile in alluminio verniciato a polvere poliestere o in acciaio inossidabile progettati per resistere alle più estreme condizioni meteorologiche. Design idoneo per essere installato in aree classificate ove richiesta protezione Exd IIC2G/D. Possibilità di avere fino a 3 ingressi cavi Metrici o NPT in base alle esigenze. Connessione all'albero secondo lo standard internazionale VDI/VDE3845 e interfaccia ISO F05 per lo staffaggio. Indicatore 3D visibile su 4 lati e regolabile su 360°, viti di chiusura coperchio in acciaio inossidabile anticaduta. Ampia scelta di contatti o sensori.*



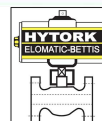
### Discover "easy on field" design inside GD limit switch box

- Easy tool free cam regulations thanks to our patent Guardbox design. Integrally plastic "spring free" cams.
- Facile e precisa regolazione della camma senza l'utilizzo di utensili grazie ad un innovativo brevetto Guardbox. Camme integralmente in materiale termoplastico prive di molla metallica.
- Easy to find right switch or proximity sensor based on your needs inside the wide range of products available.
- Facile trovare il giusto switch o sensore di prossimità all'interno dell'ampia gamma disponibile.
- Easy to use extra terminal strip and use of limit switch box as a junction box.
- Facile utilizzare il limit switch box come junction box grazie ai morsetti extra sempre disponibili all'interno.
- Easy to install in a reduced space due the compact design maintaining large internal space.
- Facile installazione in spazi ridotti grazie al design compatto pur mantenendo un elevato spazio interno.



QR code to access  
GD documentation  
Codice QR per  
accedere alla  
documentazione  
della serie GD.

1  
2  
3  
4



**MECATORK**

04 50 66 70 42  
Info@Mecatork.fr

**Eisenbau**  
INSTRUMENTS AND MONITORING PRODUCTS

Product series ■ Material ■ Cable entries ■ Fixing bracket ■ 3D position indicator ■ Ambient T(°C) ■ Terminal strip ■ Switch type&qty ■ Switch code ■ Special features

GD									
Aluminium Copper free	A	80 x 30 h20	2	-25°C + 85°C	S				
AISI 316L Stainless steel	S	80 x 30 h 30	3	-25°C + 105°C	H	Nos.2 extra (Standard)	2	Switch qty (enter no.)	Omit (Standard)
	Nos.2 M20 x 1,5 N	80 x 30 h 40	4	-40°C + 85°C	L	Customized **	0		SIL2* S2
	Nos.3 M20 x 1,5 M	130 x 30 h 50	5	-60°C + 85°C	E				SIL3* S3
	Nos.2 M25 x 1,5 P	not included	0	Customized **	X				EAC Ex certificate
	Nos.3 M25 x 1,5 L	Customized **	C			Dry contact El.Mech.spdt	ES		EAC Ex certificate 3D indicator & labels in Russian language
	Nos.2 1/2" NPT R	Red Closed / Green Open	RG			Dry contact El.Mech.dpdt	ED		3D protective cage
	Nos.3 1/2" NPT H	Yellow Closed /Black Open	YB			Magnetic proximity spdt	MS		Drawing number
	Nos.2 3/4" NPT T	Adjustable Indicator R/G	LI			Magnetic proximity dpdt	MD		DW for special features (will be assigned in case of order)
	Nos.3 3/4" NPT G	Aluminium rotary disk	AI			Inductive Proximity	PI		
	1x M20 +1x M25 V	Glass cover (Red/Green)	GI			Inductive Proximity Namur	PN		
	1x 1/2" + 1 x 3/4"W	Blind cover no indicator	BI			Position Transmitter	TX		
	Customized **		Z	Customized **	CI	Pos. Transm. plus switch *	TY		

Customized \*\* or \* : please contact our sales team

Electromechanical SPDT silver plated contacts max 5A@250VAC - 5A@24VDC



Insert code number for standard switch or sensor based on list.

Electromechanical SPDT hermetically sealed silver plated max 5A@250VAC - 5A@24VDC



Electromechanical SPDT low temperature -60°C silver plated max 5A@250VAC - 5A@24VDC



Electromechanical DPDT silver plated contacts max 5A@250VAC - 3A@24VDC



Electromechanical DPDT hermetically sealed silver plated max 5A@250VAC - 5A@24VDC



Magnetic proximity SPDT hermetically sealed max 0,1A@120VAC - 1A@24VDC



Magnetic proximity SPDT hermetically sealed snap action max 5A@250VAC - 5A@24VDC



Magnetic proximity DPDT hermetically sealed max 0,1A@120VAC - 1A@24VDC



Magnetic proximity DPDT hermetically sealed snap action max 5A@250VAC - 5A@24VDC



Inductive proximity P+F NO NBN4 12GM40 Z0 5-60 VDC 2-100mA 2 wire amplified



Inductive proximity Namur P+F NJ2 V3 N nominal voltage 8VDC

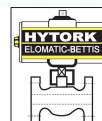
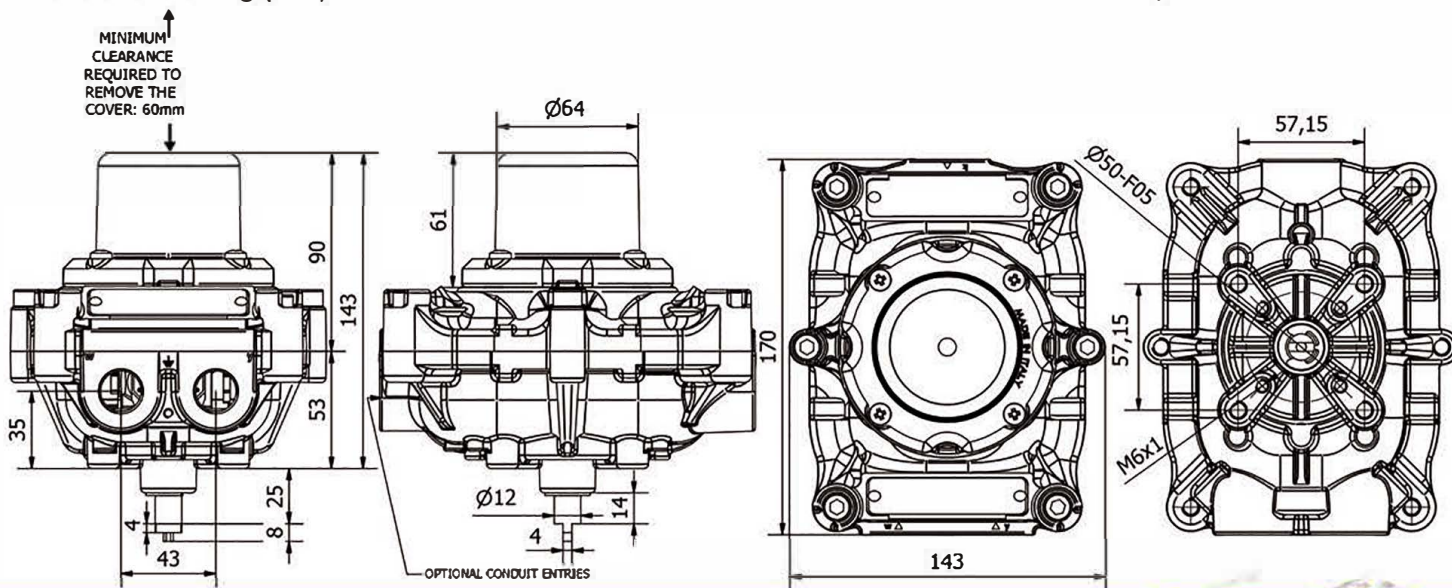


Position transmitter 4-20 mA 8...30 VDC programmable - temp.-40/+85°C

Contact us for complete list of switches and sensors availables.

Dimensional drawing (mm)

Code example: GDAM0RGS2MS281



**MECATORK**

04 50 66 70 42  
Info@Mecatork.fr

**Eisenbau**  
INSTRUMENTS AND MONITORING PRODUCTS