



\*Cu 0,08% max

### Technical data

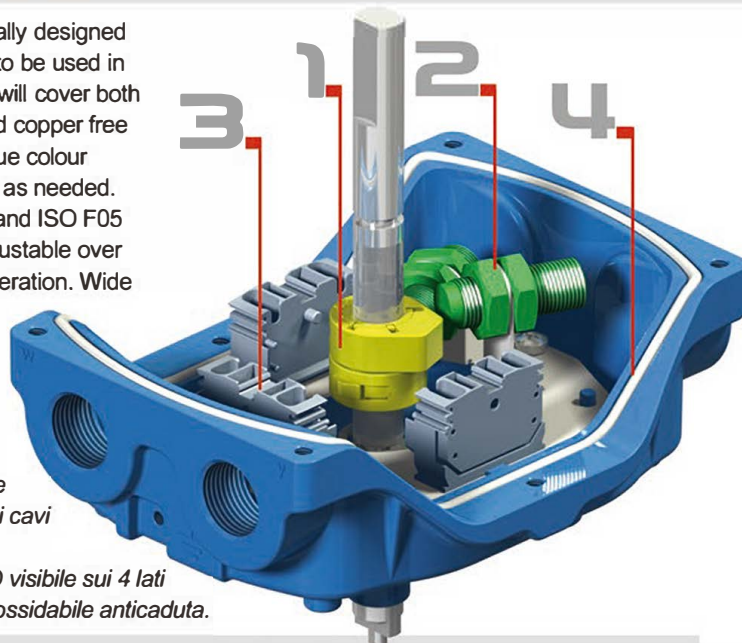


|                              |  |
|------------------------------|--|
| Housing material             | Copper free aluminium*or AISI316L      |
| Aluminium surface protection | Alodine                                |
| Aluminium paint              | Polyester powder coated RAL5015 colour |
| Shaft AISI316L               | Hardened AISI316L Stainless steel      |
| Seal                         | Silicone rubber                        |
| Visual indicator             | Polycarbonate or Glass                 |
| Temperature range            | -25°C + 85°C (-60°C / +105°C option)   |
| IP degree                    | IP66 - IP67                            |
| Switch /sensor Type          | ES-ED-MS-MD-PN-TX-TY                   |
| Cable entries                | No.2 standard (3 or 4 as option)       |
| Certificate                  | IECEx EXA 15.0007X - EXA 15 ATEX 0040X |

### Guardbox Intrinsically safe Ex ia GI series limit switch box

GI Guardbox Intrinsically safe series derived from GP enclosures. Specifically designed to be installed into potentially explosive atmosphere GI series are certified to be used in a dust zone 20,21 & 22 and gas zone 0,1 & 2 explosive area , certification will cover both enclosures and contact/sensor inside. Available in polyester powder coated copper free aluminium or AISI316L stainless steel. Easy recognizable for RAL 5015 Blue colour intrinsic safety standard. Ability to have up to 4 cable entries Metric or NPT as needed. Connection to shaft according to the international standard VDI/VDE3845 and ISO F05 interface to the fixture. 3D visual indicator visible on all 4 sides and fully adjustable over 360°, captive cover locking screw in stainless steel to prevent losing in operation. Wide range of multiple standard contacts or sensors available fixable inside.

*GI series intrinsic safe box specificamente progettati per essere installati in aree classificate con presenza di gas e polveri a rischio di esplosione, forniti con certificazione ATEX / IECEx Exia IIB/IIC Ga o Gb Exia IIIC Da. Disponibili in alluminio verniciato a polvere poliestere Blue RAL 5015 o in acciaio inossidabile la serie GI è progettata per resistere alle più estreme condizioni meteorologiche. Possibilità di avere fino a 4 ingressi cavi metrici o NPT. Collegamento all'albero secondo lo standard internazionale VDI / VDE3845 e interfaccia ISO F05 per lo staffaggio. Indicatore visivo 3D visibile sui 4 lati e completamente regolabile a 360°, viti di chiusura coperchio in acciaio inossidabile anticaduta.*



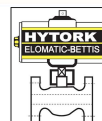
### Discover "easy on field" design inside GI limit switch box

- Easy tool free cam regulations thanks to our patent Guardbox design. Integrally plastic "spring free" cams. Facile e precisa regolazione della camma senza l'utilizzo di utensili grazie ad un innovativo brevetto Guardbox. Camme integralmente in materiale termoplastico prive di molla metallica.
- Easy to find right switch or proximity sensor based on your needs inside the wide range of products available. Facile trovare il giusto switch o sensore di prossimità all'interno dell'ampia gamma disponibile.
- Easy to use extra blue RAL5015 terminal strip and use of limit switch box as a junction box. Facile utilizzare il limit switch box come junction box grazie ai morsetti extra sempre disponibili all'interno.
- Easy wiring connection to terminal strip due an innovative ergonomic design of the enclosures. Facile cablaggio grazie ad un design ergonomico del box che consente un comodo accesso ai morsetti.



QR code to access  
GI documentation  
Codice QR per accedere alla documentazione della serie GI.

1  
2  
3  
4



**MECATORK**

04 50 66 70 42  
Info@Mecatork.fr



Product series ■ Material ■ Cable entries ■ Fixing bracket ■ 3D position indicator ■ Ambient T(°C) ■ Terminal strip ■ Switch type & qty ■ Switch code ■ Special features

|                              |                     |                          |                  |                 |   |                              |  |                           |   |
|------------------------------|---------------------|--------------------------|------------------|-----------------|---|------------------------------|--|---------------------------|---|
| GI                           |                     |                          |                  |                 |   |                              |  |                           |   |
| Aluminium<br>Copper free     | A                   | 80 x 30 h20              | 2                | -25°C + 85°C    | S |                              |  |                           |   |
| AISI 316L<br>Stainless steel | S                   | 80 x 30 h 30             | 3                | -25°C + 105°C   | H | Nos.2 extra<br>(Standard) 2  |  | Switch qty<br>(enter no.) | Omit<br>(Standard)  |
|                              | Nos.2 M20 x 1,5 N   | 80 x 30 h 40             | 4                | -40°C + 85°C    | L | Customized **0               |  |                           | SIL2* S2  |
|                              | Nos.4 M20 x 1,5 O   | 130 x 30 h 50            | 5                | -60°C + 85°C    | E |                              |  |                           | SIL3* S3  |
|                              | Nos.2 M25 x 1,5 P   | not included             | 0                | Customized ** X |   |                              |  |                           | EAC Ex certificate RE   |
|                              | Nos.4 M25 x 1,5 Q   | Customized **C           |                  |                 |   | Dry contact EI.Mech.spdtd FS |  |                           | EAC Ex certificate<br>3D indicator & labels in<br>Russian language RU |
|                              | Nos.2 1/2" NPT R    | Red Closed / Green Open  | RG               |                 |   | Dry contact EI.Mech.dpdt ED  |  |                           | 3D protective cage PI   |
|                              | Nos.4 1/2" NPT S    | Yellow Closed/Black Open | YB               |                 |   | Magnetic proximity spdt MS   |  |                           | Drawing number DW   |
|                              | Nos.2 3/4" NPT T    | Adjustable Indicator R/G | LI               |                 |   | Magnetic proximity dpdt MD   |  |                           | DW for special features<br>(will be assigned in case of order)        |
|                              | Nos.4 3/4" NPT U    | Aluminium rotary disk    | AI               |                 |   | Inductive Proximity Namur PN |  |                           |   |
|                              | 1x M20 +1x M25 V    | Glass cover (Red/Green)  | GI               |                 |   | Position Transmitter TX      |  |                           |   |
|                              | 1x 1/2" + 1 x 3/4"W | Blind cover no indicator | BI               |                 |   | Pos. Transm. plus switch *TY |  |                           |   |
|                              | Customized ** Z     |                          | Customized ** CI |                 |   |                              |  |                           |   |

Customized \*\* or \* : please contact our sales team

Electromechanical SPDT gold plated contacts sealed  
max 16V 76mA

02

Electromechanical SPDT gold plated contacts LT-60°C  
max 16V 76mA

03

Electromechanical DPDT gold plated contacts  
max 16V 76mA

22

Electromechanical DPDT gold plated contacts sealed  
max 16V 76mA

23

Magnetic proximity SPDT hermetically sealed  
max 16V 76mA

81

Magnetic proximity DPDT hermetically sealed  
max 16V 76mA

82

Insert code number  
for standard switch  
or sensor based  
on list.

PN

50

Inductive proximity Namur P+F NJ2 V3 N  
nominal voltage 8VDC temp.range -25°C/+100°C

PN

51

Inductive proximity Namur P+F NJ4 12GK N  
nominal voltage 8VDC temp.range -25°C/+100°C

PN

56

Inductive proximity Namur P+F SJ 3,5 N  
nominal voltage 8VDC temp.range -25°C/+100°C

PN

54

Inductive proximity Namur P+F NJ4 12GK SN  
nominal voltage 8VDC temp.range -50°C/+100°C

PN

57

Inductive proximity Namur P+F SJ 3,5 SN  
nominal voltage 8VDC temp.range -50°C/+100°C

TX

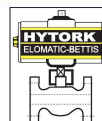
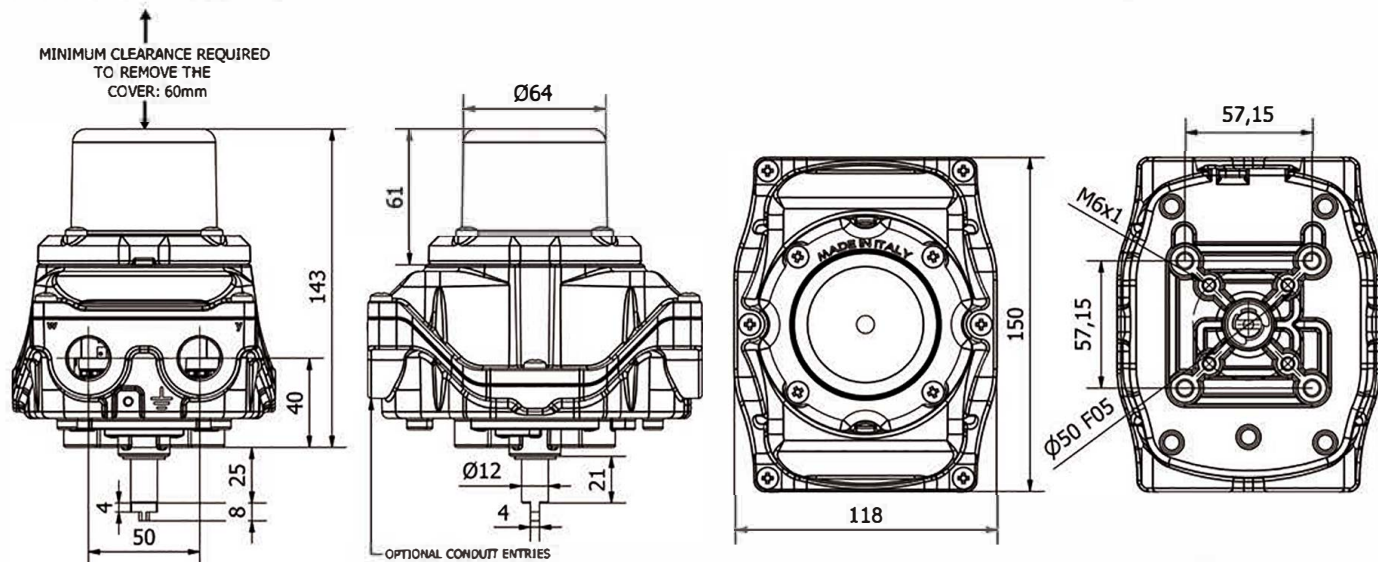
76

Position transmitter 4-20 mA Exia loop link HART  
8...30 VDC programmable - temp.-40/+85°C

Contact us for  
complete list  
of switches and  
sensors available.

Dimensional drawing (mm)

Code example: GISR0RGS2PN450



**MECATORK**

04 50 66 70 42  
Info@Mecatork.fr

**Eisenbau**  
INSTRUMENTS AND MONITORING PRODUCTS