



## Technical data



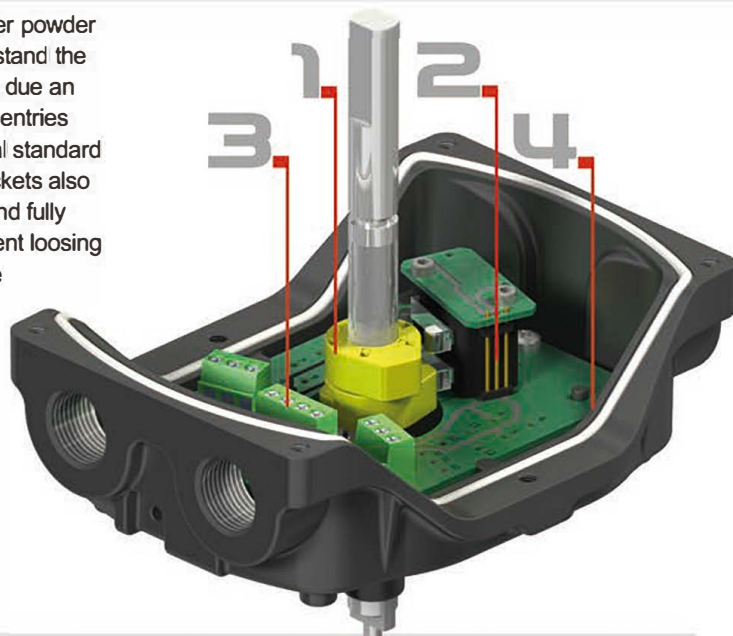
Housing material	Copper free aluminium* or AISI316L
Aluminium surface protection	Alodine
Aluminium paint	Polyester powder coated Dark Grey colour
Shaft AISI316L	Hardened AISI316L Stainless steel
Seal	Silicone rubber
Visual indicator cover	Polycarbonate or Glass
Temperature range	-25°C + 85°C (-60°C / +105°C option)
IP degree	IP66 - IP67
Switch /sensor Type	ES-ED-MS-MD-PI-TX-TY
Cable entries	No.2 standard (3 or 4 as option)

\* Cu 0,08% max

## Guardbox Protection GP series limit switch box

GP Guardbox Protection series heavy duty enclosures available in polyester powder coated copper free aluminium or AISI316L stainless steel designed to withstand the most extreme weather conditions. Easy wiring connection to terminal block due an innovative ergonomic design of the enclosure. Ability to have up to 4 cable entries Metric or NPT as needed. Connection to shaft according to the international standard VDI/VDE3845 and ISO F05 interface to the fixture. Wide availability of brackets also available for non standard applications. 3D indicator visible on all 4 sides and fully adjustable over 360°, captive cover locking screw in stainless steel to prevent loosening in operation. Wide range of multiple standard switches or sensors available fixable inside.

*GP series heavy duty box disponibile in alluminio verniciato a polvere poliestere o in acciaio inossidabile progettata per resistere alle più estreme condizioni meteorologiche. Possibilità di avere fino a 4 ingressi cavi Metrici o NPT in base alle esigenze. Connessione all'albero secondo lo standard internazionale VDI/VDE3845 e interfaccia ISO F05 per lo staffaggio. Ampia scelta di staffe per il fissaggio, disponibili anche in esecuzione speciale. Indicatore 3D visibile su 4 lati e regolabile su 360°, viti di chiusura coperchio in acciaio inossidabile anticaduta. Ampia scelta di contatti o sensori in base ai parametri di impianto.*



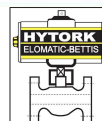
## Discover "easy on field" design inside GP limit switch box

- Easy tool free cam regulations thanks to our patent Guardbox design. Integrally plastic "spring free" cams. Facile e precisa regolazione della camma senza l'utilizzo di utensili grazie ad un innovativo brevetto Guardbox. Camme integralmente in materiale termoplastico prive di molla metallica.
- Easy to find right switch or proximity sensor based on your needs inside the wide range of products available. Facile trovare il giusto switch o sensore di prossimità all'interno dell'ampia gamma disponibile.
- Easy to use extra terminal strip and use of limit switch box as a junction box. Facile utilizzare il limit switch box come junction box grazie ai morsetti extra sempre disponibili all'interno.
- Easy wiring connection to terminal strip due an innovative ergonomic design of the enclosures. Facile cablaggio grazie ad un design ergonomico del box che consente un comodo accesso ai morsetti.



QR code to access GP documentation  
Codice QR per accedere alla documentazione della serie GP.

1  
2  
3  
4



**MECATORK**

04 50 66 70 42  
Info@Mecatork.fr

**Eisenbau**  
INSTRUMENTS AND MONITORING PRODUCTS

Product series ■ Material ■ Cable entries ■ Fixing bracket ■ 3D position indicator ■ Ambient T(°C) ■ Terminal strip ■ Switch type&qty ■ Switch code ■ Special features

GP									
Aluminium Copper free	A	80 x 30 h20	2	-25°C + 85°C	S				
AISI 316L Stainless steel	S	80 x 30 h 30	3	-25°C + 105°C	H	Nos.2 extra (Standard) 2	Switch qty (enter no.)	Omit (Standard)	
Nos.2 M20 x 1,5	N	80 x 30 h 40	4	-40°C + 85°C	L	Customized **0		SIL2* S2	
Nos.4 M20 x 1,5	⊙	130 x 30 h 50	5	-60°C + 85°C	E			SIL3* S3	
Nos.2 M25 x 1,5	P	not included	0	Customized **	X			3D protective cage	PI
Nos.4 M25 x 1,5	Q	Customized **	C			Dry contact EI.Mech.spdtd	ES	Drawing number	DW
Nos.2 1/2" NPT	R	Red Closed / Green Open	RG			Dry contact EI.Mech.dpdt	ED	DW for special features (will be assigned in case of order)	
Nos.4 1/2" NPT	S	Yellow Closed /Black Open	YB			Magnetic proximity spdtd	MS		
Nos.2 3/4" NPT	T	Adjustable Indicator R/G	LI			Magnetic proximity dpdtd	MD		
Nos.4 3/4" NPT	U	Aluminium rotary disk	AI			Inductive Proximity	PI		
1x M20 +1x M25	V	Glass cover (Red/Green)	GI			Inductive Proximity Namur	PN		
1x 1/2" + 1 x 3/4"	W	Blind cover no indicator	BI			Position Transmitter	TX		
Customized **	Z	Customized **	CI			Pos. Transm. plus switch *	TY		

Customized \*\* or \* : please contact our sales team

Electromechanical SPDT silver plated contacts  
max 5A@250VAC - 5A@24VDC



Insert code number for standard switch or sensor based on list.

Electromechanical SPDT low temperature -60°C silver plated max 5A@250VAC - 5A@24VDC



Electromechanical DPDT silver plated contacts max 5A@250VAC - 5A@24VDC



Electromechanical DPDT hermetically sealed silver plated max 5A@250VAC - 5A@24VDC



Magnetic proximity SPDT hermetically sealed max 0,4A@250VAC - 3A@24VDC



Magnetic proximity SPDT hermetically sealed max 0,1A@120VAC - 1A@24VDC



Magnetic proximity SPDT hermetically sealed snap action max 5A@250VAC - 5A@24VDC



Magnetic proximity DPDT hermetically sealed max 0,1A@120VAC - 1A@24VDC



Magnetic proximity DPDT hermetically sealed snap action max 5A@250VAC - 5A@24VDC



Inductive proximity P+F NO NBB2 V3 E2 10-30 VDC 100mA 3 wire amplified



Inductive proximity P+F NO NBB3 V3 Z4 5-60 VDC 100 mA 2 wire amplified

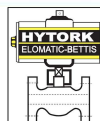
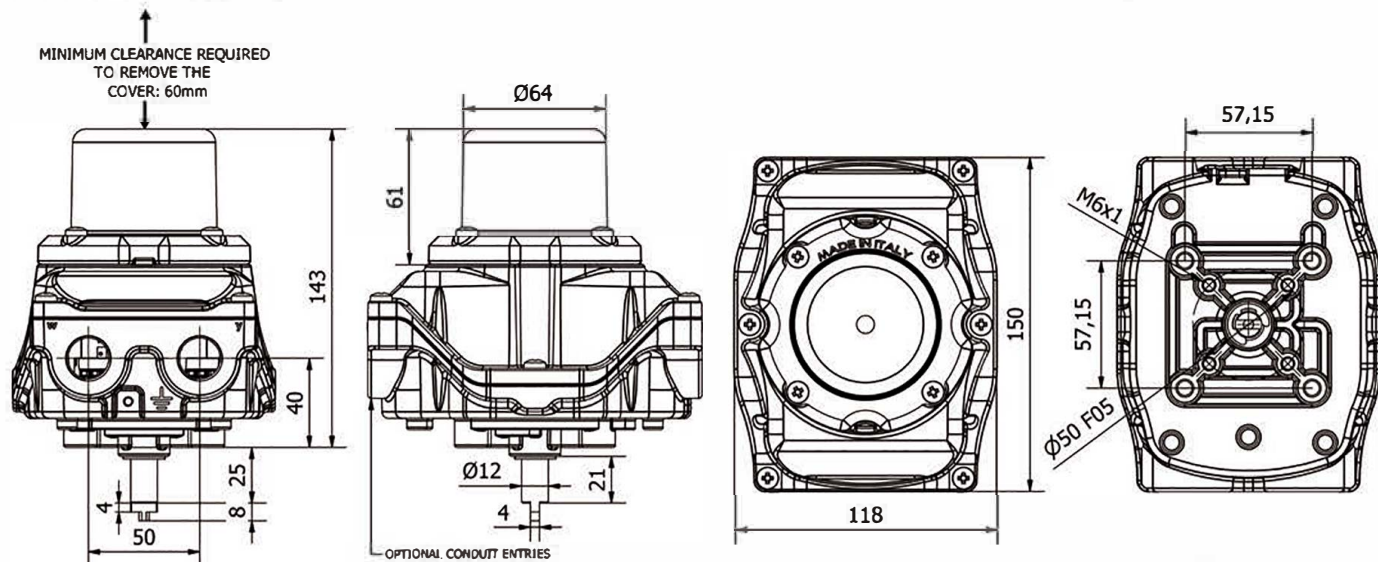


Position transmitter 4-20 mA 8...30 VDC programmable - temp.-40/+ 85°C

Contact us for complete list of switches and sensors availables.

Dimensional drawing (mm)

Code example: GPAN0RGS2ES201



**MECATORK**

04 50 66 70 42  
Info@Mecatork.fr

