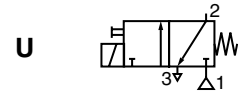




# SOLENOID VALVES

direct operated, poppet type  
flameproof enclosure

Ex d IIC T6-T5 Gb, Ex t IIIC T85°C-T100°C Db IP65  
in-line, 1/2



**3/2**  
Series  
**126**

## FEATURES

- Solenoid valves with explosionproof operator MB type for use in potentially explosive atmospheres according to ATEX Directive 94/9/EC  
EC type examination certificate no.: **LCIE 03 ATEX 6059 X**  
IECEx Certificate of Conformity no.: **IECEx LCI 09.0001X**
- Compliance with the Essential Health and Safety Requirements has been assured by compliance with the International and European Standards EN-IEC 60079-0, EN-IEC 60079-1 and EN 61241-1
- Easy electrical connection with screw terminals
- Wide range of applications, particularly at low temperatures
- The solenoid valves have TÜV certified IEC 61508 Functional Safety data and can be used up to SIL 4

## GENERAL

**Differential pressure** 0 to 10 bar [1 bar = 100 kPa]  
**Response time** 30 - 50 ms

fluids (*)	temperature range (TS)	seal materials (*)
air, inert gas	- 40°C to + 60°C <sup>(2)</sup>	VMQ (silicone)

## MATERIALS IN CONTACT WITH FLUID

(\*) Ensure that the compatibility of the fluids in contact with the materials is verified

	Brass body	Stainless steel body
<b>Body</b>	Brass	AISI 316L SS
<b>Internal parts</b>	Stainless steel, brass	Stainless steel
<b>Springs</b>	Stainless steel	Stainless steel
<b>Seals</b>	VMQ	VMQ

## OTHER MATERIALS

<b>Solenoid enclosure</b>	Aluminium
<b>Cover screws</b>	Steel
<b>Core tube</b>	Stainless steel
<b>Core and plugnut</b>	Stainless steel
<b>Nameplate</b>	Aluminium
<b>Cable gland</b>	Nickel-plated brass or stainless steel
<b>Exhaust protector</b>	Stainless steel

## ELECTRICAL CHARACTERISTICS

<b>Coil insulation class</b>	H	<b>SAFETY CODE</b>	Ex d IIC T6-T5 Gb
<b>Coil connection</b>	Screw terminals		Ex t IIIC T85°C-T100°C Db IP65
<b>Electrical safety</b>	IEC 335		
<b>Electrical enclosure protection</b>	Moulded IP65 (EN 60529)		
<b>Standard voltages</b>	DC (=) : 24V - 48V		
(Other voltages and 60 Hz on request)	AC (~) : 24V - 48V - 115V - 230V / 50 Hz		

prefix option	power ratings				operator ambient temperature range (TS) <sup>(2)</sup> (C°)	safety code	replacement coil		type <sup>(1)</sup>
	inrush ~	holding ~	hot/cold =	~			=		
	(VA)	(VA)	(W)					230 V/50 Hz	
MB	35	15	19	12 / 15	-40 to +65	Ex d IIC Gb Ex t IIIC Db IP65	43004053	24 V = 43002091 48 V = 43002098	01

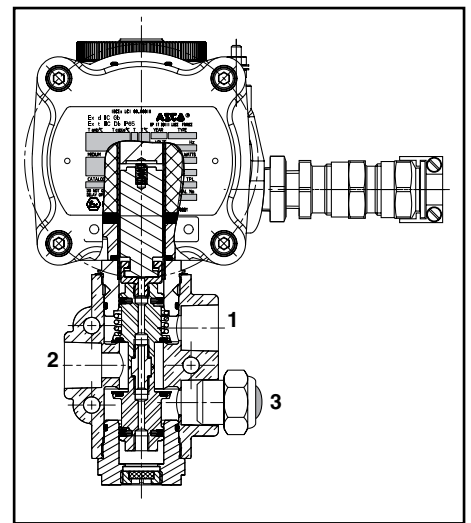
<sup>(1)</sup> Refer to the dimensional drawings on the following page.

operator DC (=)			
Pn	max. ambient temp. °C		
	surface temperature		
(W)	T6	T5	
	85°C	100°C	
15	50	65	

operator AC (~)			
Pn	max. ambient temp. °C <sup>(2)</sup>		
	surface temperature		
(W)	T6	T5	
	85°C	100°C	
19	50	65	

## SPECIFICATIONS

pipe size	orifice size		flow coefficient Kv				operating pressure differential (bar)			power coil (W)		catalogue number		
	1 → 2	2 → 3	1 → 2	2 → 3			min.	max. (PS)		~	=	without manual operator with exhaust protector and 1/2 NPT cable gland		
	(mm)	(mm)	(m³/h)	(l/min)	(m³/h)	(l/min)		~	=					
NPT														
<b>U - Universal, brass body, VMQ seals (with nickel-plated brass cable gland)</b>														
1/2	10	10	1,6	27	1,5	25	0	10	10	-	15	12660043	12660001	
<b>U - Universal, stainless steel body, VMQ seals (with nickel-plated brass cable gland)</b>														
1/2	10	10	1,6	27	1,5	25	0	10	15	-	15	-	12660020	
<b>U - Universal, stainless steel body, VMQ seals (with stainless steel cable gland)</b>														
1/2	10	10	1,6	27	1,5	25	0	10	10	19	15	12660040	12660008	

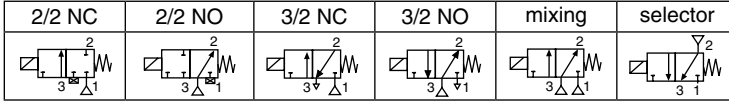


### OPTIONS

- Marine paint/anti-corrosive or dust environments (solenoid operator enclosure only)

### INSTALLATION

- Always install solenoid valves with body vertical and solenoid upward
- IECEx-ATEX cable gland, 3/4 NPT, pre-installed on solenoid valve, supplied with cable clamp)
- Can be used for the following functions, depending on how the ports are connected:



Can be used in ambient temperatures up to +70°C without SIL qualification, max. operating pressure 8 bar.

- Solenoid valves have 3 mounting holes in body
- Threaded pipe connection is standard NPT (ANSI 1.20.3)
- Valves should be provided with a specific exhaust protector
- Installation/maintenance instructions are included with each valve

### SPARE PARTS KIT & ACCESSORIES

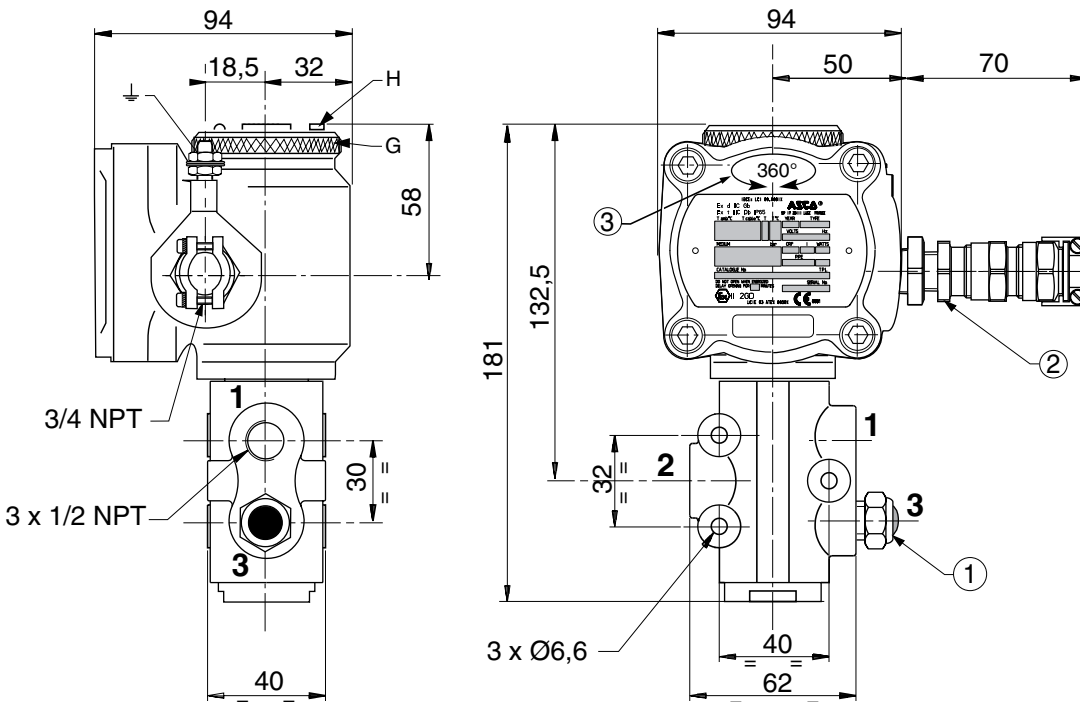
catalogue number	spare parts kit no.	
	24 V DC	48 V DC
12660001/12660020/12660008	97701930	97701931

### DIMENSIONS (mm), WEIGHT (kg)



#### TYPE 01

Operator type "MB"  
Aluminium  
EN-IEC: 60079-0, 60079-1 and 61241-1  
Ex d IIC T6-T5 Gb - Ex t IIIC T85°C-T100°C Db IP65



type	operator type	weight
01	MB	2,1

- ① Exhaust protector
- ② Explosionproof cable gland to IECEx-ATEX with clamp
- ③ To change the orientation of the solenoid operator relative to the ports, the screw (H) and the nut of the cover (G) must be loosened.