

MECATORK

ACTIONNEURS PNEUMATIQUES ¼ DE TOUR
 ACTIONNEURS ELECTRIQUES
 ENSEMBLES VANNES MOTORISEES

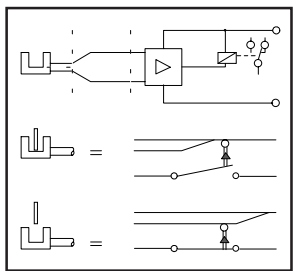
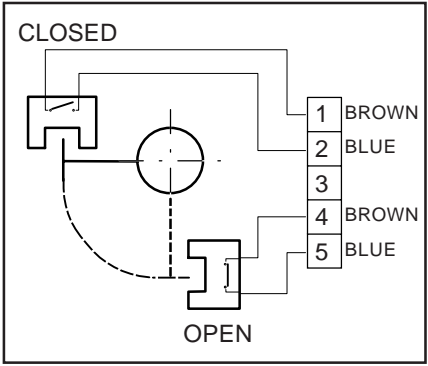
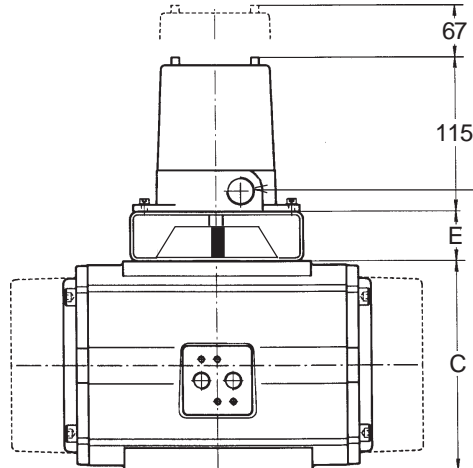
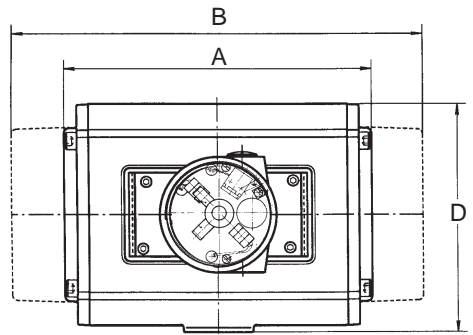
04 50 66 70 42
 Info@Mecatork.fr

Subject to change without no

VALVE AUTOMATION SYSTEMS

EL-O-MATIC[®] INTERNATIONAL

Nr.: 3.201.006
 All rights reserved



Description:

This heavy duty switch box encloses two inductive switches without amplifiers for an electronic indication of the fully open and fully closed actuator positions.

The sensors are operated by two vanes on an extension of the actuator drive shaft and all mechanical parts are contained within the enclosure. Both switches are independently adjustable throughout the operating stroke, but are normally set to indicate at about 5° before each end position.

The sensors are explosion proof (intrinsically safe) to EEx ia IIc T6 and as such are suitable for all zones with all gasses. The enclosure is waterproof to IP67 (submersible) and as such completely dust tight.

All four terminals of the two switches are pre-wired to a terminal block, which is easily accessible when the top cover is removed.

Two electrical entries are included, one of which is fitted with a blanking plug.

The switch box is mounted on top of the actuator with an accessory bracket which incorporates a visual position indicator.

Specification:

Switches	Type	: Pepperl & Fuchs SJ-5-N
	Explosion proof	: EEx ia IIc T6 (BASEEFA and PTB certified)
	Voltage	: 8 VDC (Ri = 1kOhm)
	Amps (output)	: Switched, less than 1 mA. Unswitched, more than 3mA
Housing	Temperature	: - 25°C to + 70° C
	Material	: Aluminium alloy, AlSi10Mg
	Enclosure	: IP 67 (IEC 529)
	Cable entries	: 2 x Pg 13.5, option M20x1.5 or 1/2" NPT
	Mounting	: Acc. VDI/VDE 3845 (NAMUR)

Identification:

HD ia

EL-O-MATIC ACTUATOR WITH HD SWITCH BOX P&F SJSN

EEx ia

Dim. in mm.	Actuator type											
	E 12	E 25	E 40	E 65	E100	E200	E 350	E600	E950	E1600	P2500	P4000
A PD/ED	103	159	180	199	221	283	305	387	424	516	378	502
B PE/ES	118	172	204	249	267	360	387	477	517	637	570	834
C	80	100	113	125	138	163	201	250	289	327	386	410
D	60	83	96	107	117	137	182	217	242	275	358	390
E	45	45	45	45	45	45	45	55	55	55	55	55

Date: Dec. '99