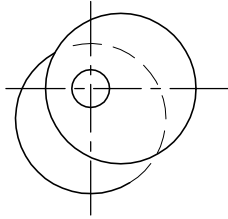


MECATORK S.A

ACTIONNEURS PNEUMATIQUES ¼ DE TOUR
 ACTIONNEURS ELECTRIQUES
 ENSEMBLES VANNES MOTORISEES

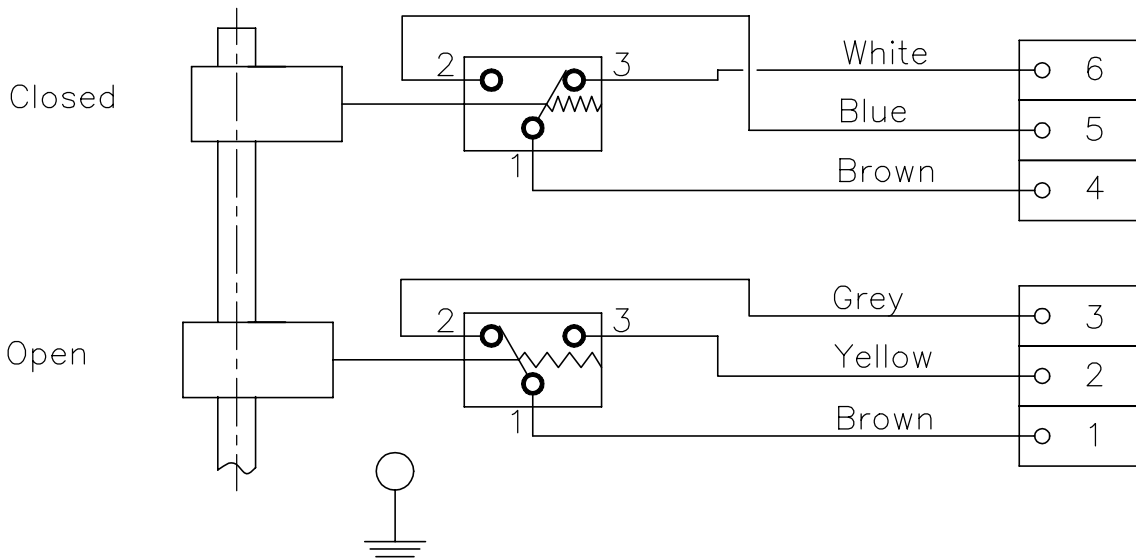
TS-HD 0082

pin 1 = common
 pin 2 = normally closed (NC)
 pin 3 = normally open (NO)



UNLESS OTHERWISE SPECIFIED
 DIMENSIONS IN MILLIMETERS
 REMOVE ALL BURRS AND
 SHARP CORNERS

TOLERANCE LIMITS UNLESS
 OTHERWISE SPECIFIED:
 X = ±0.5
 XX = ±0.25
 XXX = ±0.1
 ANGULAR = ±½°



© EL-O-MATIC International

		Format: A4			Drn.: HD	Scale: 1:1	Date: 11-4-2003 AD
			INTERNATIONAL DIVISION BENELUX		Checked:		Approved:
			Material:	Title: Wiring diagram HD 0082 for HD-box 2x V3			
			Treatment:	Unit size: HD-box	Drw.nr.: HD 0082		
H	G	F	E	D	C	B	A
Nr.:		Date:	Revisions.		CAD-file: hd0082.dwg		